

Liquid Filled Type Thermometer

Model No. SS-4010 Series



SS-4010 150mm

Summary

The scale interval of this instrument is divided equally. Therefore, it is easy to read the scale when measuring the temperature. As the driving power is strong, the indicator indicates certainly and it is widely used for industrial use because the temperature transmission speed is very fast.

Safety Management

- If possible, install a well.
- Do not give impact during transportation, installation and usage.
- Be sure to install the thermometer to be horizontal and vertical.
- Avoid the places where steam and poisonous gas exist a lot.

Purpose of Use

- Various boilers
- Dyeing machines
- Petrochemistry plant
- Measurement of inner temperature of a tank
- Ships, etc.
- LPG, LNG gas line

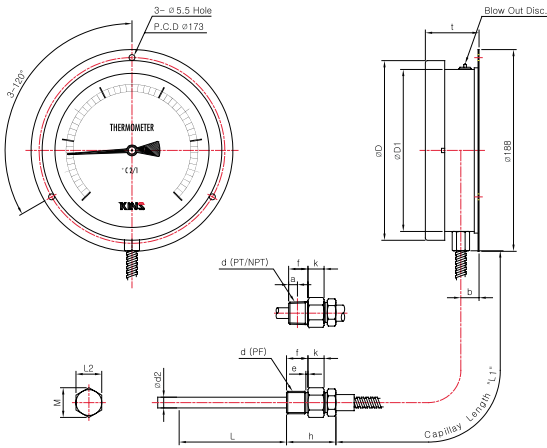
Production Specification

- ▶ Diameter
 - 150 mm
- ▶ Accuracy
 - $\pm 2.0\%$ of Full Scale
- ▶ Scale Range
 - $-30^{\circ}\text{C} \sim 650^{\circ}\text{C}$
- ▶ Common Temperature
 - 75% of Full Scale

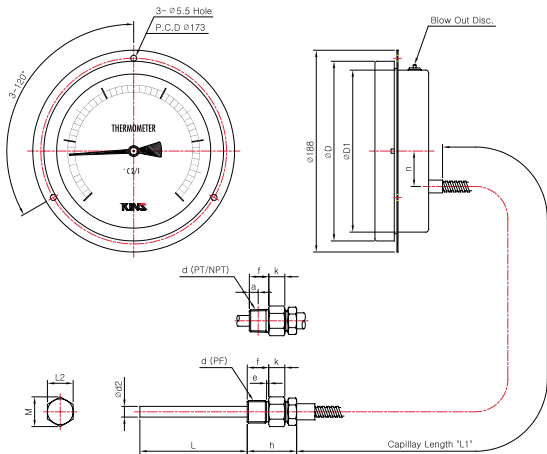
Product Specification

- | | | |
|--|--|--|
| <ul style="list-style-type: none"> + Case <ul style="list-style-type: none"> · STS 304 + Cover <ul style="list-style-type: none"> · STS 304 · Slip-on-Fit + Connection <ul style="list-style-type: none"> · STS 304, 316 · PF, PT, NPT \leftrightarrow 1/2 + Window <ul style="list-style-type: none"> · General glass · Tempered safety glass · Laminated safety glass | <ul style="list-style-type: none"> + Type <ul style="list-style-type: none"> · B-Type(Surface type) · BD-Type(Panel attachment type) + Dial <ul style="list-style-type: none"> · Aluminum · Color of white · Black gradation and characters + Pointer <ul style="list-style-type: none"> · Aluminum · Black coating | <ul style="list-style-type: none"> + Capillary Tube <ul style="list-style-type: none"> · Standard 2 M (Maximum 10 M) + Stem <ul style="list-style-type: none"> · STS 304, 316 + Stem O,D <ul style="list-style-type: none"> · $\varnothing 8, \varnothing 10, \varnothing 12$ + Well <ul style="list-style-type: none"> · STS 304, 316 · Titanium, Monel, Hastelloy · Teflon Lining, Glass Lining |
|--|--|--|

Model No. | SS-4011 (150mm) B-Type(Surface type)



Model No. | SS-4012 (150mm) BD-Type(Panel attachment type)



* Other details are the same as SS-4010 100mm Series

Dimensions (mm)

Model No.	Conn'n (d)	ØD	ØD1	b	n	t	L2	M	k	Ød2	h	f	e	a
SS-4011	PF 1/2	170	156	17	-	(50)	24	(27.7)	17	8	(50)	20	2	-
	NPT & PT 1/2									10	(48)	18	-	8,16
SS-4012	PF 1/2	170	156	-	33	(50)	24	(27.7)	17	8	(50)	20	2	-
	NPT & PT 1/2									10	(48)	18	-	8,16

* ()The measurement in the blanket is approximate.

- Pressure Gauge
- Differential Pressure Gauge & Switch
- Accessories of Pressure Gauge
- Thermometer & Thermometer Switch
- Thermocouple & R.T.D
- Thermowell
- Transmitter
- Indicator etc.
- Technical data